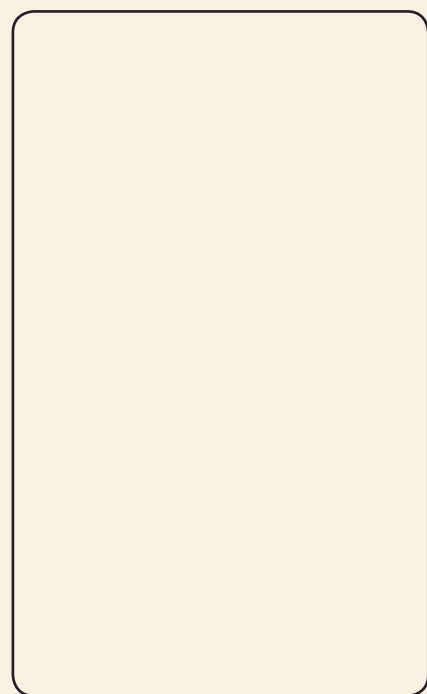


**We've been working
behind the scenes to
revolutionize the way
you work.**



Introducing the Steel City[®] GO Box[™]. This changes everything.

It's a whole new ballgame for high-volume residential projects. That's because the Steel City[®] GO Box[™] is one of the most revolutionary labor-saving products ever designed. The GO stands for "Grip-On,"[™] and that's exactly how it works. Just push the box onto a stud and the specially designed clamps hold it in place. No tools or fasteners are required, reducing installation time, which means you're not going to wear yourself out. When it comes to lower installed costs, this changes everything.

Instead of nails or other fasteners, unique clamps are used to hold the box securely in place. Simply push it onto the stud.

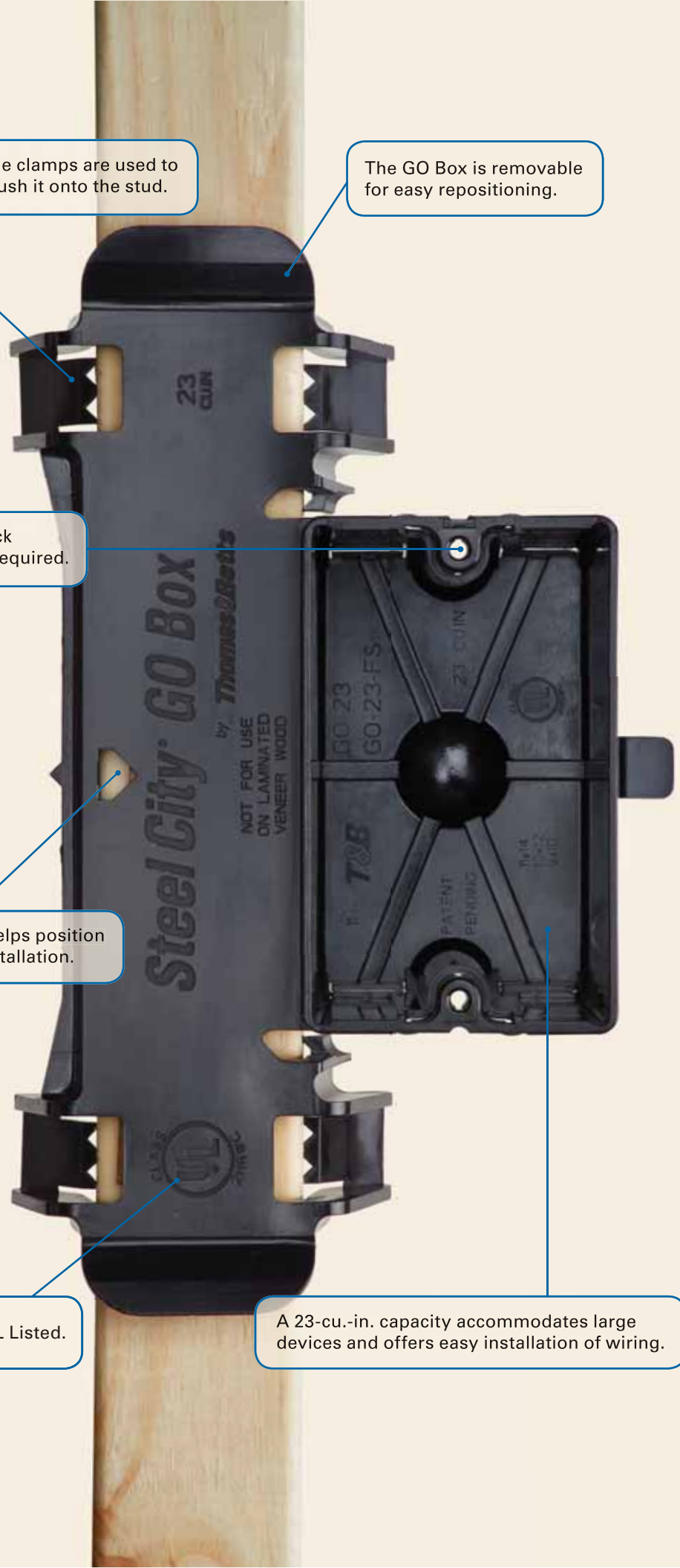
The GO Box is removable for easy repositioning.

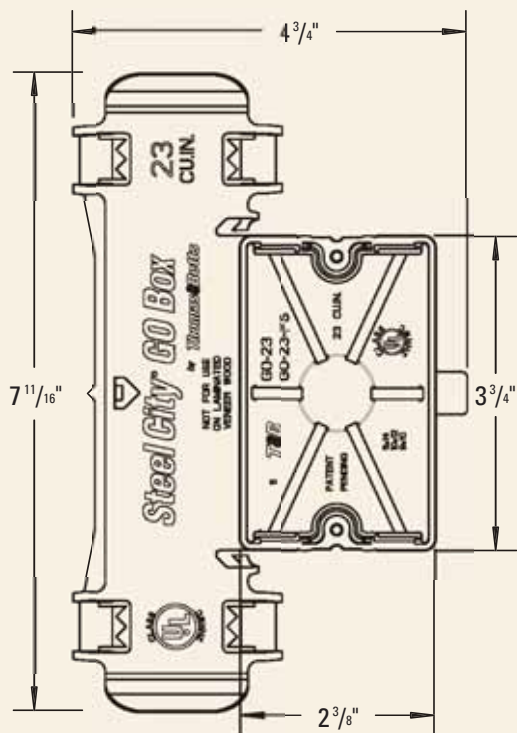
"Fast-Set" mounting holes allow for quick installation of devices. No metal inserts required.

A locator hole in the mounting bracket helps position the box on marked studs for accurate installation.

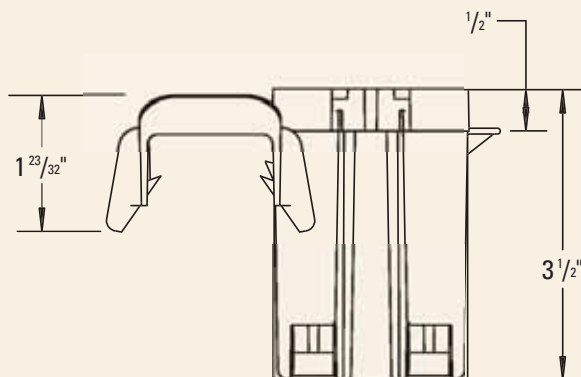
The GO Box is UL Listed.

A 23-cu.-in. capacity accommodates large devices and offers easy installation of wiring.





- Material: Polycarbonate
- UL Listed per UL Standards 514C and 263
- UL File Numbers: E11461, R9140
- Classified for two-hour firewall
- For use with nonmetallic sheathed cable



Steel City® Grip-On™ Single Gang Switch Box

Cat. Number	Description	Std. Pkg. Qty.	UPC Number
GO-23	Single gang outlet box for wood studs, "Grip-On" mounting, 23 cu-in, polycarbonate	30	78599104084
GO-23-FS	Single gang outlet box for wood studs, "Grip-On" mounting, 23 cu-in, polycarbonate, "Fast-Set" device holes	30	78599104083

Also Available



Polycarbonate
Indestructible and
Non-Deforming Boxes



PVC
Standard "Soft"
Boxes



Vapor Barrier
Energy Efficient
Boxes



Phenolic
Extreme Temperature
Boxes

Thomas & Betts has a complete line of boxes in each category to fit many unique market demands. Each group contains single gang to four gang boxes, for old work and new work, as well as a ceiling fan/fixture package.

Thomas & Betts

Please ask your Thomas & Betts sales representative for a complete catalog of quality Thomas & Betts electrical products, or visit us at www.tnb.com. For customer service: **800-816-7809**. For technical questions: **888-862-3289** (toll-free).

©2005 Thomas & Betts Corporation. All rights reserved. Printed in USA. 08/05/15M GM-1044

Thomas & Betts Corporation
Electrical Division
8155T&B Boulevard
Memphis, TN 38125 USA
901-252-5000

Thomas & Betts Ltd.
700 Thomas Avenue
Iberville, Québec J2X 2M9
450-347-5318